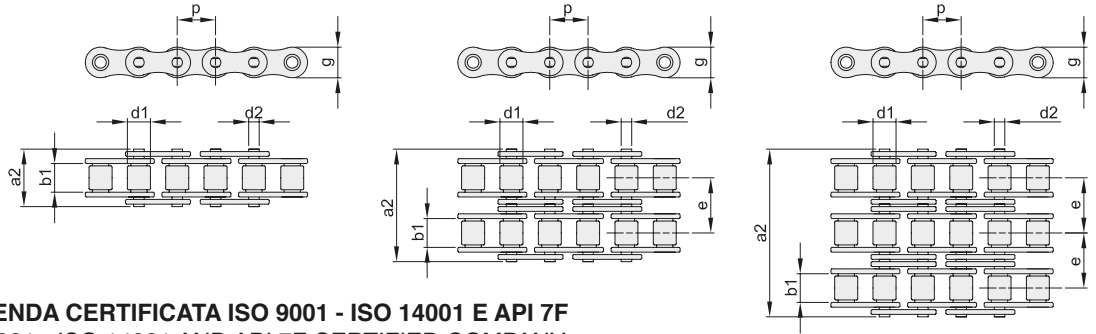




# CATENE A RULLI SERIE EUROPEA - DIN 8187 - ISO 606

## ROLLER CHAINS EUROPEAN STANDARD - DIN 8187 - ISO 606

Le catene a rulli serie europea possono operare a temperature da -10° a +150°



**CATENA PRODOTTA DA AZIENDA CERTIFICATA ISO 9001 - ISO 14001 E API 7F**  
CHAIN PRODUCED BY ISO 9001 - ISO 14001 AND API 7F CERTIFIED COMPANY

**CATENA PRESTIRATA / PRE-STRETCHED CHAINS**

**CONFEZIONI DA 5 MT - ROTOLI DA ▲ 50 MT - ROTOLI DA ■ 100 MT**



### SEMPLICE

| ISO     | codice    | p      |        | b <sub>1</sub><br>mm<br>min. | d <sub>2</sub><br>mm | d <sub>1</sub><br>mm<br>max. | a <sub>2</sub><br>mm<br>max. | g<br>mm<br>max. | Carico di rottura |             | q<br>kg/m<br>≈ |
|---------|-----------|--------|--------|------------------------------|----------------------|------------------------------|------------------------------|-----------------|-------------------|-------------|----------------|
|         |           | mm     | inch   |                              |                      |                              |                              |                 | minimo<br>KN      | medio<br>KN |                |
| 04-1    | 600106000 | 6      | -      | 2,80                         | 1,85                 | 4,00                         | 7,4                          | 5,00            | 3,0               | 3,3         | 0,12           |
| 05B-1   | 600108000 | 8      | -      | 3,00                         | 2,31                 | 5,00                         | 8,6                          | 7,11            | 5,0               | 5,9         | 0,18           |
| 06B-1   | 600109000 | 9,525  | 3/8"   | 5,72                         | 3,28                 | 6,35                         | 13,5                         | 8,26            | 9,0               | 10,7        | 0,40           |
| 06B-1 ■ | 600109075 | 9,525  | 3/8"   | 5,72                         | 3,28                 | 6,35                         | 13,5                         | 8,26            | 9,0               | 10,7        | 0,40           |
| 08B-1   | 600112000 | 12,7   | 1/2"   | 7,75                         | 4,45                 | 8,51                         | 17,0                         | 11,81           | 18,0              | 21,1        | 0,68           |
| 08B-1 ▲ | 600112050 | 12,7   | 1/2"   | 7,75                         | 4,45                 | 8,51                         | 17,0                         | 11,81           | 18,0              | 21,1        | 0,68           |
| 10B-1   | 600115000 | 15,875 | 5/8"   | 9,65                         | 5,08                 | 10,16                        | 19,6                         | 14,73           | 22,4              | 27,4        | 0,91           |
| 10B-1 ▲ | 600115050 | 15,875 | 5/8"   | 9,65                         | 5,08                 | 10,16                        | 19,6                         | 14,73           | 22,4              | 27,4        | 0,91           |
| 12B-1   | 600119000 | 19,05  | 3/4"   | 11,68                        | 5,72                 | 12,07                        | 22,7                         | 16,13           | 29,0              | 32,3        | 1,12           |
| 12B-1 ▲ | 600119050 | 19,05  | 3/4"   | 11,68                        | 5,72                 | 12,07                        | 22,7                         | 16,13           | 29,0              | 32,3        | 1,12           |
| 16B-1   | 600125000 | 25,4   | 1"     | 17,02                        | 8,28                 | 15,88                        | 36,1                         | 21,08           | 60,0              | 70,6        | 2,59           |
| 20B-1   | 600131000 | 31,75  | 1 1/4" | 19,56                        | 10,19                | 19,05                        | 43,2                         | 26,42           | 95,0              | 109,8       | 3,68           |
| 24B-1   | 600138000 | 38,1   | 1 1/2" | 25,40                        | 14,63                | 25,40                        | 53,4                         | 33,40           | 160,0             | 179,0       | 6,85           |
| 28B-1   | 600144000 | 44,45  | 1 3/4" | 30,99                        | 15,90                | 27,94                        | 65,1                         | 37,08           | 200,0             | 226,0       | 8,56           |
| 32B-1   | 600150000 | 50,8   | 2"     | 30,99                        | 17,81                | 29,21                        | 67,4                         | 42,29           | 250,0             | 273,0       | 9,49           |
| 40B-1   | 600163000 | 63,5   | 2 1/2" | 38,10                        | 22,89                | 39,37                        | 82,6                         | 52,90           | 355,0             | 390,0       | 15,53          |

### DOPPIA

| ISO   | codice    | p      |        | b <sub>1</sub><br>mm<br>min. | d <sub>2</sub><br>mm | d <sub>1</sub><br>mm<br>max. | a <sub>2</sub><br>mm<br>max. | g<br>mm<br>max. | e<br>mm | Carico di rottura |             | q<br>kg/m<br>≈ |
|-------|-----------|--------|--------|------------------------------|----------------------|------------------------------|------------------------------|-----------------|---------|-------------------|-------------|----------------|
|       |           | mm     | inch   |                              |                      |                              |                              |                 |         | minimo<br>KN      | medio<br>KN |                |
| 05B-2 | 600108200 | 8      | -      | 3,00                         | 2,31                 | 5,00                         | 14,3                         | 7,11            | 5,64    | 7,8               | 8,5         | 0,32           |
| 06B-2 | 600109200 | 9,525  | 3/8"   | 5,72                         | 3,28                 | 6,35                         | 23,8                         | 8,26            | 10,24   | 16,9              | 19,2        | 0,76           |
| 08B-2 | 600112200 | 12,7   | 1/2"   | 7,75                         | 4,45                 | 8,51                         | 31,0                         | 11,81           | 13,92   | 32,0              | 38,0        | 1,31           |
| 10B-2 | 600115200 | 15,875 | 5/8"   | 9,65                         | 5,08                 | 10,16                        | 36,2                         | 14,73           | 16,59   | 44,5              | 57,3        | 1,79           |
| 12B-2 | 600119200 | 19,05  | 3/4"   | 11,68                        | 5,72                 | 12,07                        | 42,2                         | 16,13           | 19,46   | 57,8              | 65,7        | 2,22           |
| 16B-2 | 600125200 | 25,4   | 1"     | 17,02                        | 8,28                 | 15,88                        | 68,0                         | 21,08           | 31,88   | 113,7             | 137,5       | 5,03           |
| 20B-2 | 600131200 | 31,75  | 1 1/4" | 19,56                        | 10,19                | 19,05                        | 79,7                         | 26,42           | 36,45   | 170,0             | 210,0       | 7,33           |
| 24B-2 | 600138200 | 38,1   | 1 1/2" | 25,40                        | 14,63                | 25,40                        | 101,8                        | 33,40           | 48,36   | 280,0             | 322,5       | 13,50          |
| 28B-2 | 600144200 | 44,45  | 1 3/4" | 30,99                        | 15,90                | 27,94                        | 124,7                        | 37,08           | 59,56   | 360,0             | 412,6       | 16,96          |
| 32B-2 | 600150200 | 50,8   | 2"     | 30,99                        | 17,81                | 29,21                        | 126,0                        | 42,99           | 58,55   | 450,0             | 510,8       | 18,74          |
| 40B-2 | 600163200 | 63,5   | 2 1/2" | 38,10                        | 22,89                | 39,37                        | 154,0                        | 52,90           | 72,29   | 630,0             | 708,1       | 30,72          |

### TRIPLA

| ISO   | codice    | p      |        | b <sub>1</sub><br>mm<br>min. | d <sub>2</sub><br>mm | d <sub>1</sub><br>mm<br>max. | a <sub>2</sub><br>mm<br>max. | g<br>mm<br>max. | e<br>mm | Carico di rottura |             | q<br>kg/m<br>≈ |
|-------|-----------|--------|--------|------------------------------|----------------------|------------------------------|------------------------------|-----------------|---------|-------------------|-------------|----------------|
|       |           | mm     | inch   |                              |                      |                              |                              |                 |         | minimo<br>KN      | medio<br>KN |                |
| 06B-3 | 600109300 | 9,525  | 3/8"   | 5,72                         | 3,28                 | 6,35                         | 34,0                         | 8,26            | 10,24   | 24,9              | 27,7        | 1,12           |
| 08B-3 | 600112300 | 12,7   | 1/2"   | 7,75                         | 4,45                 | 8,51                         | 44,9                         | 11,81           | 13,92   | 47,5              | 56,0        | 1,94           |
| 10B-3 | 600115300 | 15,875 | 5/8"   | 9,65                         | 5,08                 | 10,16                        | 52,8                         | 14,73           | 16,59   | 66,7              | 83,3        | 2,68           |
| 12B-3 | 600119300 | 19,05  | 3/4"   | 11,68                        | 5,72                 | 12,07                        | 61,7                         | 16,13           | 19,46   | 86,7              | 101,5       | 3,32           |
| 16B-3 | 600125300 | 25,4   | 1"     | 17,02                        | 8,28                 | 15,88                        | 99,9                         | 21,08           | 31,88   | 160,0             | 202,8       | 7,65           |
| 20B-3 | 600131300 | 31,75  | 1 1/4" | 19,56                        | 10,19                | 19,05                        | 116,1                        | 26,42           | 36,45   | 250,0             | 306,5       | 10,96          |
| 24B-3 | 600138300 | 38,1   | 1 1/2" | 25,40                        | 14,63                | 25,40                        | 150,2                        | 33,40           | 48,36   | 425,0             | 490,6       | 20,20          |
| 28B-3 | 600144300 | 44,45  | 1 3/4" | 30,99                        | 15,90                | 27,94                        | 184,3                        | 37,08           | 59,56   | 530,0             | 625,9       | 25,38          |
| 32B-3 | 600150300 | 50,8   | 2"     | 30,99                        | 17,81                | 29,21                        | 184,5                        | 42,99           | 58,55   | 670,0             | 775,0       | 28,04          |